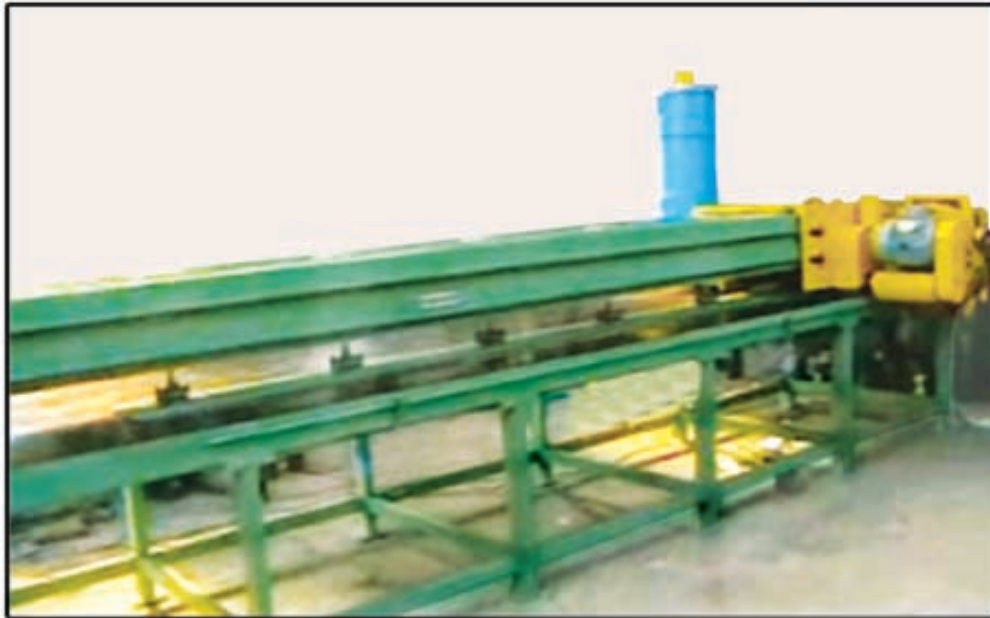


PRESS BOARD SCARFING / BEVELING MACHINE :**:: TECHNICAL SPECIFICATIONS ::****Job Parameters :**

- Thickness of press board sheet * : 2.0 - 6.0 mm
- Max size of sheet * : 3500 x 4000 mm.
- Max width of scarfing required * : 150 mm.

* Generally as per customer's specification

Machine Parameters :

Working area of job table : 1200 x 4000 mm. / to suit sheet size

Working height of table : 800 - 900 mm – as per customer's requirement

Type of cutter : HSS 6-5-2 Cylindrical spiral teeth milling cutter (IS: 6305-1982) Dia 100 x 125 mm long.

Speed of milling cutter : 500 - 1500 RPM variable within range

Longitudinal traverse of cutter head : 3500 mm. / to suit sheet size

Cross traverse of cutter head from table face +/- 100 mm.

Vertical movement of cutter head from table top : +/- 20 mm.

Swivel of cutter head in horizontal plane 0 - 5 degree

Traverse rate of cutter head : 500 – 1500 mm/min, variable within range

Control Voltage : 110V, AC

Power :

- (a) Cutter motor 7.5 HP, AC, with AC VVVF drive for infinitely variable speed.
- (b) Feed Motor 2 HP, AC with AC VVVF drive
- (c) Vacuum Dust Collector 3 HP, AC, - Optional

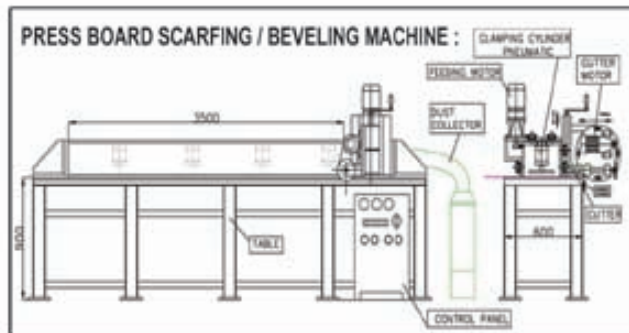
Supply :

- (a) Electric : 415 V, 3 Ph, 50 Hz, AC
- (b) Air Supply : Min 5 Kg/sq.cm. (min)

VIKRANT SPECIAL MACHINES

Other Insulation Shop Machines :

- Cylinder Gluing machine
- End Support manufacturing line
- Cylinder Impregnating machine
- Cylinder height cutting machine
- Contour milling machine
- Any other SPM for manufacture of insulation components



Machines For Transformer Industry :

1. Automatic Coil winding machine, model HLV
2. Round wire Coil winding machine, model CWR
3. Coil winding machine for Distribution Transformer, model CWM
4. High speed coil winding machine, model FLW
5. Heavy duty, high Torque Coil winding machine, model CWNG, upto 20 Ton coil weight
6. Vertical Coil winding machine, Floor Type, model CWV/E & Pit Type, model CWV/P, upto 25 Ton coil weight
7. Hydraulic Coil Upender
8. Hydraulic Core assembly & tilting platform
9. Hydraulic Coil Press
10. Coil assembly platform
11. Transformer assembly platform
12. High rise working platform

Other Products from VIKRANT

1. Pipe & Bolt Threading machines - PD, WPD, OPD & PPT series

2. Machinery for motor manufacture.

- a. Armature Banding machine.
- b. Armature Tig welding machine.
- c. Dynamic commutator seasoning plant
- d. Commutator mica undercutting & de-burring machine.
- e. Universal Armature machine.
- f. Rotary oven for armature baking.
- g. Coil loop winding machine
- h. Coil spreading machine
- i. Strip on edge winding machine.
- j. Hydraulic Press.

3. Hydraulic elevating platforms - Scissor & Telescopic type

4. Motorised Transfer car & Trolleys

5. Welding Rotators & Manipulators

6. Special Purpose Machines [SPM'S] & Machine Tools.

- a. Portable Radial planning machine / Flange Turning machine
- b. Gang Drilling machine
- c. Multi spindle drilling machine
- d. Vertical centre drilling machine
- e. Engineering File cutting machine
- f. Parting, Boring & Facing Automat
- g. Hydraulic Pressure Testing machine
- h. Pipe parting, facing, grooving & Flange welding machine
- i. Hot Stamping Machine

VIKRANT SPECIAL MACHINES PRIVATE LIMITED

90, Nayapatty Road, Kolkata-700055

Ph.: 2551 3070 / 2550 1462, Mobile : 9831189283 Fax : 033-23377053

E-mail : vikrantspecial@rediffmail.com website : vikrantspecial.com